

# bir Dünya enerji

## HIRA SERIES SOLAR MODULES 520-550W

144  
Cells  
Mono-Perc  
MBB



### Overview

A fully certified, premium quality and high efficiency module made with A Grade materials manufactured in Turkey. Guaranteed positive tolerance of up to 5W.



#### QUALITY

- ISO 9001 CERTIFICATION
- ISO 10002 CERTIFICATION
- IEC 61215
- PIN-UP TECHNOLOGY LAMINATION
- NDC (NON-DESTRUCTIVE CUTTING)
- MICRO GAP
- EL CONTROL IN 3 LOCATIONS



#### COMPONENTS

- CERTIFIED SUPPLIERS
- STRICT CRITERIA FOR THE SELECTION OF CELLS (EUROPE AND ASIA)
- MC4-EVO2 TYPE CONNECTORS OR COMPATIBLE



#### TECH

- IEC 61215 AND 61730 PARTS II
- LOAD RESISTANCE -5400 PA
- HAIL IMPACT RESISTANCE CLASS 4
- MAX VOLTAGE 1500V



#### WARRANTY

- PRODUCT: 12 YEARS
- 1 YEAR: MONO (98%)
- 10 YEARS: 90% / 25 YEARS UP TO: 82% (LINEAR)



#### ENVIRONMENT

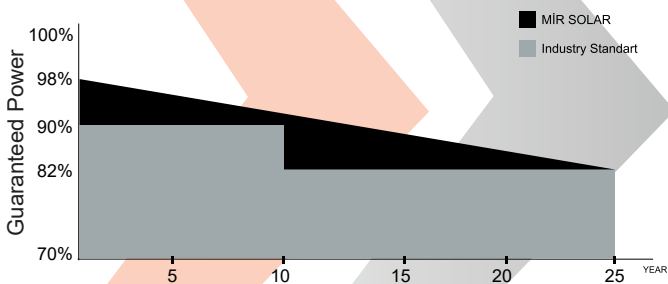
- REGULATED CARBON FOOTPRINT
- ISO 45001 AND ISO 14001 STD.



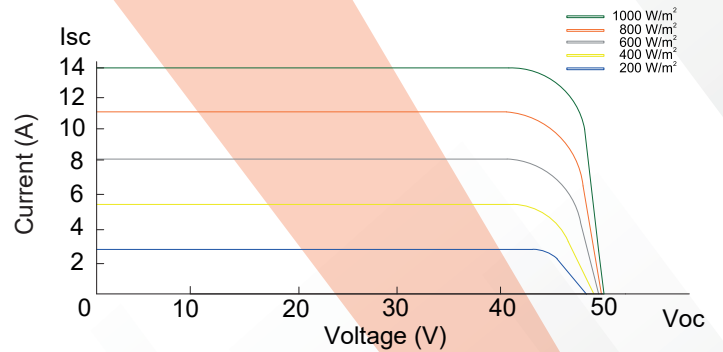
#### PRODUCT

- CLASS 520-550 WP -0/+4.99 WP
- MONO CELLS
- 144 CELLS PERC MODULE
- II BB

### Linear Performance Warranty



### I-V Curve



# Solar Module

## Electrical Characteristics

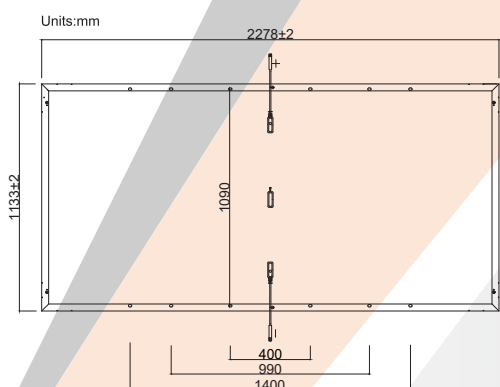
Rated Power	MIR520 144C/M	MIR525 144C/M	MIR530 144C/M	MIR535 144C/M	MIR540 144C/M	MIR545 144C/M	MIR550 144C/M
Power Tolerance	0~+5W	0~+5W	0~+5W	0~+5W	0~+5W	0~+5W	0~+5W
Maximum Power Voltage (Vmp)	40.74	40.90	41.06	41.22	41.39	41.53	41.70
Maximum Power Current (Imp)	12.77	12.84	12.91	12.99	13.06	13.13	13.20
Open Circuit Voltage (Voc)	48.78	48.94	49.10	49.26	49.41	49.57	49.73
Short Circuit Current (Isc)	13.62	13.69	13.76	13.82	13.89	13.95	14.02
Module Efficiency (%)	20.10	20.29	20.48	20.69	20.89	21.07	21.27
Maximum System Voltage	<b>DC 1000V/1500V</b>						
Maximum Series Fuse	<b>25A</b>						

Tested at Standart Test Conditions: Irradiance 1000W/m<sup>2</sup>, AM 1.5, Cell Temperature 25°C

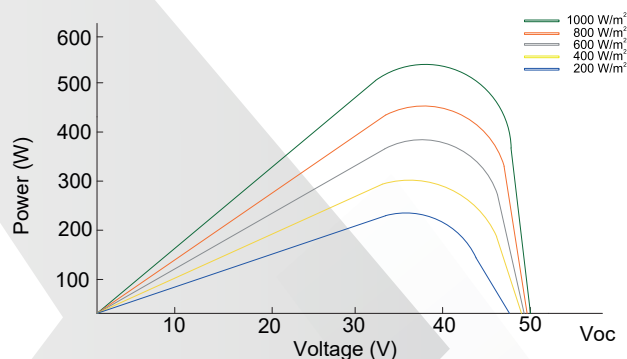
## Mechanical Data

Dimensions	2278mmx1133mmx35mm
Weight	27.0kg
Frame	Anodized aluminum
Front Glass	3,2 mm , ARC ,tempered glass
Output Cables	4mm <sup>2</sup> (IEC), Length: 350mm (vertical)

## Dimensions



## P-V Curve



## Temperature Characteristics

Pmax Temperature Coefficient	-0.35%/°C
Voc Temperature Coefficient	-0.27%/°C
Isc Temperature Coefficient	+0.05%/°C
Operating Temperature	-40~+80°C
Nominal Operating Cell Temperature (NOCT)	43 ± 2°C

## Packing Configuration

Container	40'HQ
Pieces per Pallet	31
Pieces per Container	620

